



# RS II DI

## ROBUST AND HIGH-PERFORMANCE

- **DI (Double Insulated) pump:** insulated motor shaft, no contact with water
- Suitable for **large flow volumes (infinity or overflow)**
- **Lexan™ transparent lid with wingnut closing system, no tools needed**
- 2950 cm<sup>3</sup> Strainer, extra large basket for minimal maintenance
- **High resistance to heat and corrosion-free**
- Durable: fiber-glass reinforced resin components
- **Union fittings provided**
- **Direct replacement** of former RS II models
- Recommended for pool **up to 195 m<sup>3</sup>\***

\* Calculation based on 6 hours turnover



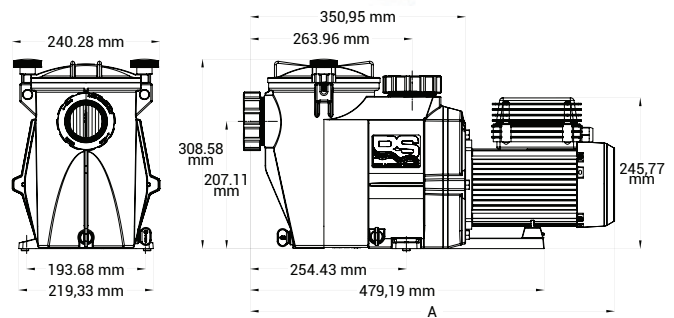
Input / Output 2" internal 50 mm or 63 mm depending on the model



Transparent strainer lid



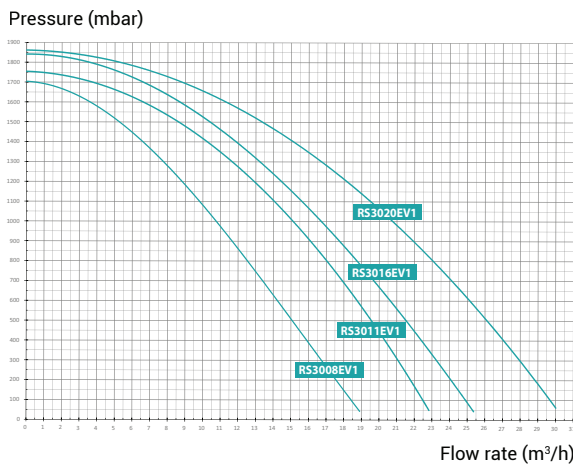
Wing screw drain plug



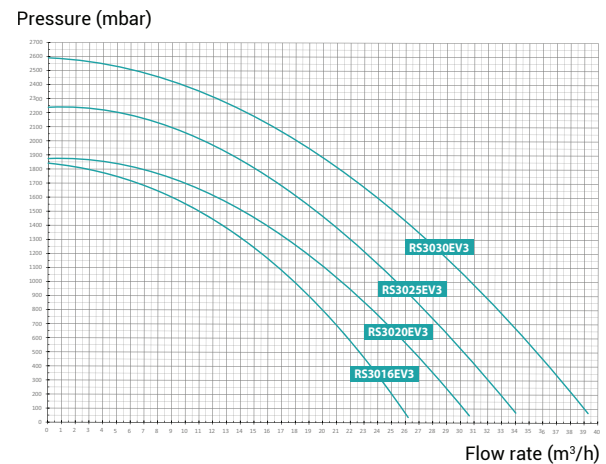
### Technical Specifications

Max. water temp.	35°C
Mechanical seal	AISI 304, suitable for salt water
Motor specifications	Class F, IP55, 50 Hz, 2 Poles
Housing/impeller/strainer/lid	PP+GF/Noryl® + GF/ABS/PC

### • RS II DI Single phase Curve



### • RS II DI Three phase Curve



	Type	Dim A	Weight	I/O	Flow rate*	Input Power P1	Output Power P2	Amperage	Item
SINGLE PHASE RS II DI	3/4 HP	569 mm	12.8 kg	50 mm	12.5 m <sup>3</sup> /h	800 W	573 W	3.6 A	RS3008EV1
	1 HP	569 mm	13.9 kg	50 mm	17 m <sup>3</sup> /h	930 W	694 W	4.15 A	RS3011EV1
	1.5 HP	594 mm	15 kg	63 mm	18.75 m <sup>3</sup> /h	1100 W	812 W	5.30 A	RS3016EV1
	2 HP	594 mm	15 kg	63 mm	23 m <sup>3</sup> /h	1400 W	1052 W	6.50 A	RS3020EV1
THREE PHASE RS II DI	2 HP	600 mm	17 kg	63 mm	23.7 m <sup>3</sup> /h	1764 W	1500 W	5.72/3.30 A	RS3020EV3 <b>IE3</b> ✓
	2.5 HP	630 mm	20.5 kg	63 mm	27.5 m <sup>3</sup> /h	2560 W	2200 W	8.20/4.70 A	RS3025EV3 <b>IE3</b> ✓
	3 HP	630 mm	20.5 kg	63 mm	32.85 m <sup>3</sup> /h	2560 W	2200 W	8.20/4.70 A	RS3030EV3 <b>IE3</b> ✓

\* under 8 m water column pressure